



TIDAL

PROFESSIONAL PRODUCTS

**DUST DEVIL POWDER DUSTER
USER MANUAL**



DUST DEVIL POWDER DUSTER

Table of Contents

1.	Specifications	4
2.	Quick Start Guide (Dust Devil)	5
3.	About	6
3.1	What's Included	7
3.2	Part's Diagram	9
4.	Safety & Preparations	10
4.1	Warnings & Personal Protective Equipment (PPE)	10
4.2	Workspace Setup	10
4.3	Product Specification	10
5.	Loading the Powder	11
5.1	Opening the Powder Container	11
5.2	Transferring Powder	11
5.3	Avoid Overfilling & Clumping	11
6.	Application / Use Instructions	12
6.1	Target Areas	12
6.2	Applying the Powder	12
6.3	Finishing Up	12
7.	Maintenance & Cleaning	13
7.1	Safety Before Cleaning	13
7.2	Cleaning External Parts	13
7.3	Cleaning Internal Components	13
7.4	Reassembly	13
8.	Storage & Long-Term Care	14
9.	Benefits of Proper Use & Maintenance	14
10.	Troubleshooting	15
11.	Warranty	16
11.1	Warranty Coverage	16
11.2	Warranty Period	16
11.3	Warranty Claims	16
11.4	Product Registration	16
11.5	Exclusions & Limitations	16

1. Specifications

Model	TIDAL-DUSTDEVIL
Battery	18 V, 2.6 Ah lithium-ion
Bottle Capacity	287 ml (9.7 ounces)
Switch	Variable speed
Compressor Type	Multi-diaphragm air compressor
Output Flow Rate	<5L/minute (minimum) 20L/minute (maximum)



2. Quick Start Guide (Dust Devil)

Charge Battery

- Fully charge the 18 V battery before first use.

Install Battery

- Insert a charged battery confirming it is secured to the duster unit.

Fill Chemical Bottle

- Add dust pesticide and secure to the dusting unit.

Select Nozzle

- Choose a nozzle based on the application (short/long/telescoping).

Spray

- Point nozzle at the target area and pull the trigger to begin spraying.

3. About

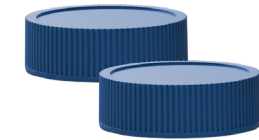


3.1 What's Included

Protective Case



Bottle Lids (2)



Duster Unit



Short Tip



Battery



Long Tip



3.1

Charger



Telescoping Tip



Belt Clip



Flexible Snake Adapter



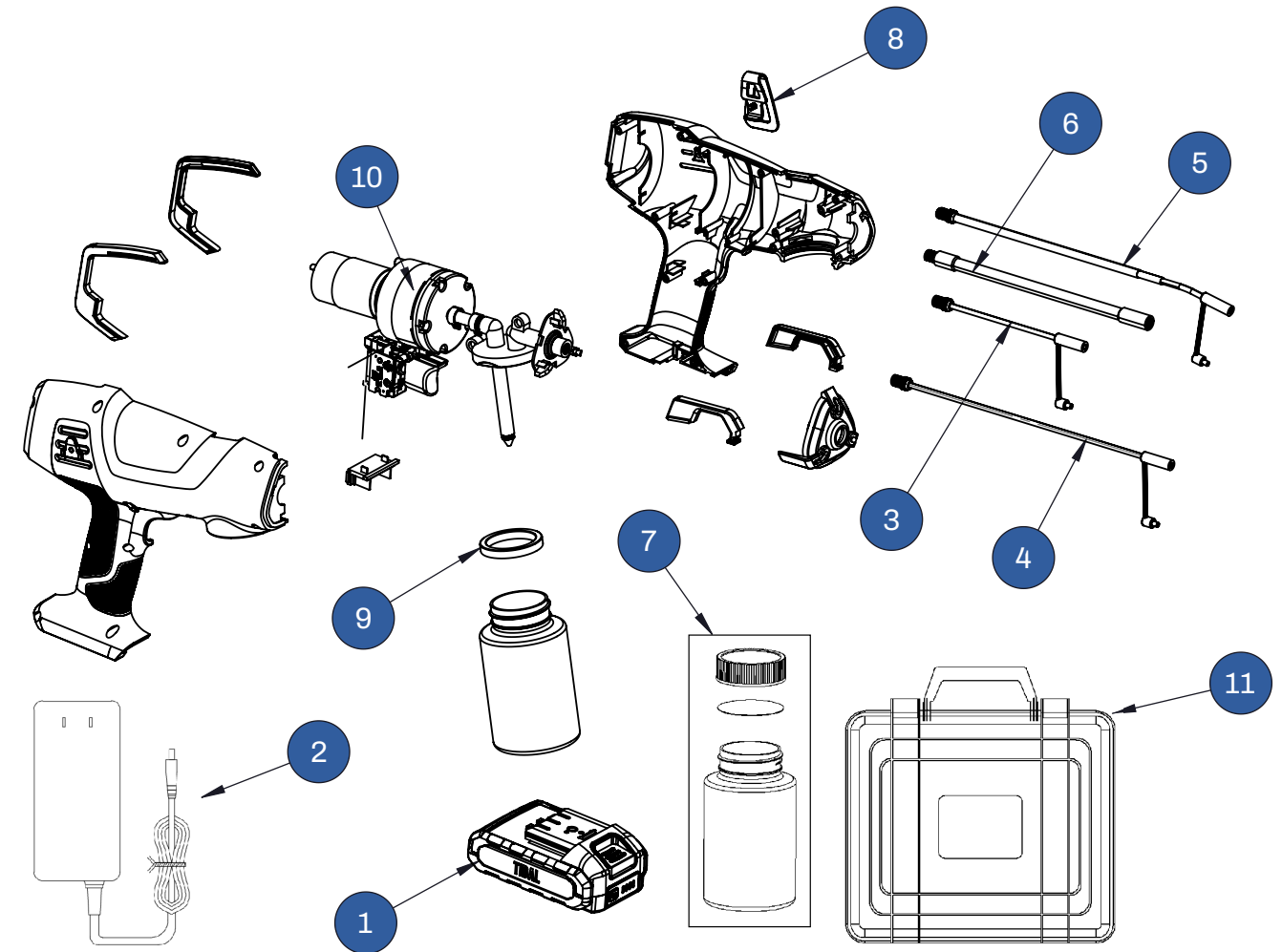
Bottles (2)



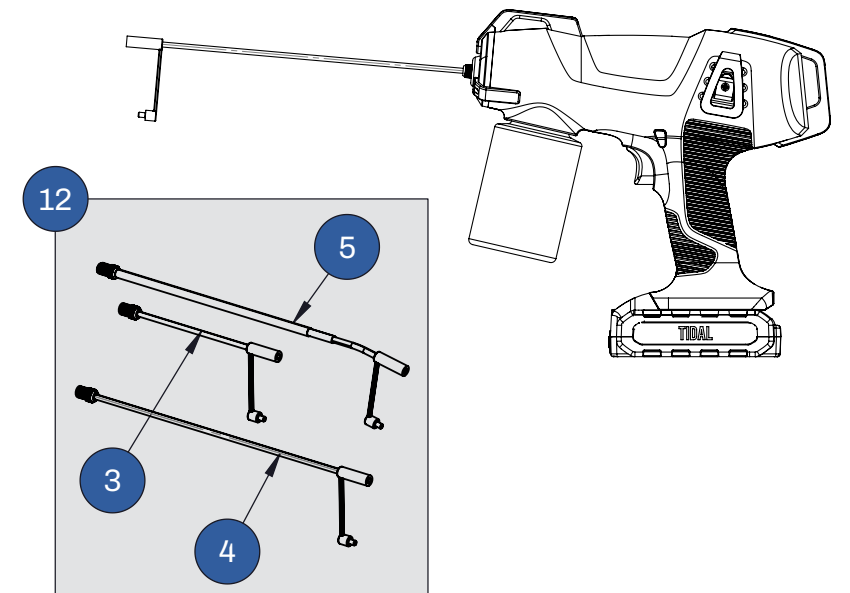
Cleaning Brush



3.2 Part's Diagram



ITEM	PART NAME	QTY
1	TIDAL-BATT2.6V2	1
2	TIDAL-CHARGER2A	1
3	TIDAL-DUSTDEVILTIP1	1
4	TIDAL-DUSTDEVILTIP2	1
5	TIDAL-DUSTDEVILTIP3	1
6	TIDAL-DUSTDEVILADAPT	1
7	TIDAL-DUSTDEVILBOTTLE	1
8	TIDAL-DUSTDEVILBELTCLIP	1
9	TIDAL-DUSTDEVILGASKET	1
10	TIDAL-DUSTDEVILREBUILDKIT	1
11	TIDAL-DUSTDEVILCASE	1
12	TIDAL-DUSTDEVILTIPKIT (3,4,5)	1



4. Safety & Preparations

4.1 Warnings & Personal Protective Equipment (PPE)

- Always wear protective gloves and a respirator/mask to avoid skin contact or inhalation of powder.
- Work in a well-ventilated area to reduce exposure to residual dust.
- Keep the powder duster and any insecticide powders out of reach of children and pets.
- Before you begin, inspect the unit: ensure there are no visible cracks, blockages, or loose parts.

4.2 Workspace Setup

- Clear and organize your workspace.
- Use a sealed or smooth surface (e.g. tray or plastic sheet) to catch stray powder.
- Make sure lighting is adequate so you can see cracks, crevices, and treatment zones clearly.

4.3 Product Specifications

Product Weight (carrying case complete)	3.13 kgs (6.9 lbs)
Duster Weight (with battery)	1 kg (2.3 lbs)
Flow Rate	22 litres/minute (5.8 gallons/minute)
Pressure (in container)	0.047 bar
Pressure (in tube)	0.379 bar

5. Loading the Powder

5.1 Opening the Powder Container

- Carefully remove or unscrew the lid to avoid spillage.
- Work slowly and handle with care.

5.2 Transferring Powder

- Use a small scoop, or funnel to transfer the powder into the duster's reservoir.
- Do not rush—spillage or dust cloud formation is a risk.

5.3 Avoid Overfilling & Clumping

- Overfilling may cause clogging of the nozzle.
- Check that the powder is dry and free from lumps or moisture. If clumps are present, gently break them up or use dry powder only.
- Ensure the powder flows freely before sealing.

6. Application / Use Instructions

6.1 Target Areas

Focus on areas where pests are likely to travel or hide, such as:

- Cracks, crevices, wall voids
- Along baseboards or floor-wall junctions
- Behind appliances, cabinets, or furniture
- Around pipe penetrations, electrical outlets, and other openings

6.2 Applying the Powder

- Use gentle, controlled squeezes on the trigger to disperse the powder—avoid spraying too forcefully.
- Move the nozzle along target zones steadily to leave an even, thin application layer.
- Do not overapply—excessive powder can be wasteful or leave visible residue that may require cleanup.
- After applying, visually inspect the treated area; ensure there is residue but not thick clumps.

6.3 Finishing Up

- Seal the powder container tightly to maintain the insecticide's efficacy.
- Store the duster upright or in its original case to avoid accidental spills.
- Clean nearby surfaces that may have come into contact with excess powder (wipe down counters, floors, or equipment).

7. Maintenance & Cleaning

A regular maintenance routine keeps your duster working reliably and safely.

7.1 Safety Before Cleaning

- Wear gloves and a mask to protect against residual powder exposure.
- Work in a clean, ventilated area.
- Use a tray or sealed surface to contain any powder residue during disassembly.

7.2 Cleaning External Parts

- Use a damp (not soaking) cloth to wipe outer surfaces, especially around the nozzle and grip areas.
- Avoid letting water seep into internal chambers.
- Do not use harsh chemicals or solvents—mild soapy water or plain water is preferred.

7.3 Cleaning Internal Components

- Use compressed air (short bursts) to blow out residual powder from internal chambers, nozzles, or hard-to-reach zones.
- For deeper cleaning, use the included brush to clean the plumbing line and nozzles.
- Inspect all passages to ensure no residual powder remains.
- Be gentle—use controlled bursts rather than full blasts of air.

7.4 Reassembly

- Ensure all parts are fully dry before reassembly (moisture can cause clumping of powder or damage).
- Re-attach all components securely.
- Perform a test puff of the duster (without powder) to confirm air flow and that no blockages remain.

8. Storage & Long-Term Care

- Store the duster in a cool, dry place, away from direct sunlight, heat, or humidity.
- Always keep the powder container sealed.
- Keep the unit and powder in a location inaccessible to children or pets.
- Periodically (e.g. monthly) inspect for damage, cracks, or wear if the device is infrequently used.

9. Benefits of Proper Use & Maintenance

By following this manual, you can expect to achieve:

- **Longer device life** — less wear, fewer malfunctions
- **Better performance** — consistent and effective powder dispersion
- **Safety assurance** — reduced risk of exposure or accidental release
- **Cost savings** — reduced need for repairs or replacements

10. Troubleshooting

PROBLEM	PROBABLE CAUSE(S)	CORRECTIVE ACTION
Duster will not turn on	Dead battery Another electrical component broken	Charge the battery. If the battery will not charge, test the charger and battery with a voltmeter. Contact Support for a replacement if applicable. Replace internal components (TIDAL-DUSTDEVILRE-BUILDKIT).
Leaks from container	Sealing gasket is worn	Replace the gasket (TIDAL-DUSTDEVILGASKET).
Clogged internal plumbing / nozzles	Not cleaning equipment after each use	Using short burst of compressed air, blow the lines. For more severe blockages, use the provided cleaning brush to clean internal plumbing and nozzles.
Dead battery	Defective charger Defective battery	If the LED indicator lights do not turn on or remain red after two hours being on the charger, test the charger with a multimeter while plugged into an outlet and confirm it is producing 21v +/- 10%. Replace if necessary (TIDAL-CHARGER2A). If the battery doesn't charge after two hours on the charger and you have confirmed the charger is working (previous step instructions), test the battery with a multimeter. Replace if necessary.
Product lights will not turn on	Electrical component broken	Replace internal components (TIDAL-DUSTDEVILREBUILDKIT).
Compressor makes unusual noise.	Plumbing lines are blocked. Compressor is worn out.	Using short burst of compressed air, blow the lines. For more severe blockages, use the provided cleaning brush to clean internal plumbing and nozzles. Replace internal components (TIDAL-DUSTDEVILREBUILDKIT).

Warranty

11.1 Warranty Coverage

TIDAL Professional Products guarantees to the original purchaser that each product will perform as designed when used under normal operating conditions and with proper care. If, within the warranty period, the product or any component is found to be defective in materials or workmanship, TIDAL Professional Products will, at its discretion, repair or replace the defective part at no cost other than shipping and handling fees.

11.2 Warranty Period

Coverage begins on the date of retail purchase and remains in effect for one (1) year. The term of coverage does not reset or extend if the product or part is repaired or replaced.

11.3 Warranty Claims

To process a warranty claim, TIDAL Professional Products may require the defective product to be returned, along with proof of purchase and a completed product registration. Claims submitted without registration or valid documentation may be denied.

11.4 Product Registration

All products purchased through authorized distributors must be registered online in order to activate warranty protection and enable claim processing. Registration can be completed at www.tidalprofessionalproducts.com/register.

If your product does not operate as intended, **DO NOT RETURN IT TO THE STORE**. For full warranty terms or to submit a claim, visit www.tidalprofessionalproducts.com/warranty.

11.5 Exclusions & Limitations

This limited warranty only applies to products purchased through authorized distributors. Purchases made from unauthorized sellers are excluded from coverage.

The warranty does not apply to damage or failures caused by shipping, storage, misuse, neglect, modifications, routine wear and tear, or operation outside of the product's instructions.

TIDAL Professional Products may make changes to product design or specifications at any time without an obligation to retrofit or update previously manufactured units.

Any implied warranties, including those of merchantability or fitness for a particular purpose, are limited to the same duration as the warranty period stated above.

The responsibility of TIDAL Professional Products under this warranty is strictly limited to repair or replacement of defective parts or products.

TIDAL Professional Products will not be held responsible for incidental or consequential damages of any kind, including but not limited to loss of profits, downtime, legal fees, or other costs arising from product failure.

Because some states do not permit limitations on implied warranties or the exclusion of incidental or consequential damages, these limitations may not apply in every case.

This warranty provides specific legal rights, and you may also have additional rights that vary depending on your state of residence.





tidalprofessionalproducts.com